

# WiFi 2.4/5.0GHz Adhesive Easyfit Antenna

EF-24-58

## EF-24-58



Adhesive mount antenna

Fits to plastic devices or glass windshields

Dual band WiFi 2.4/5.0GHz

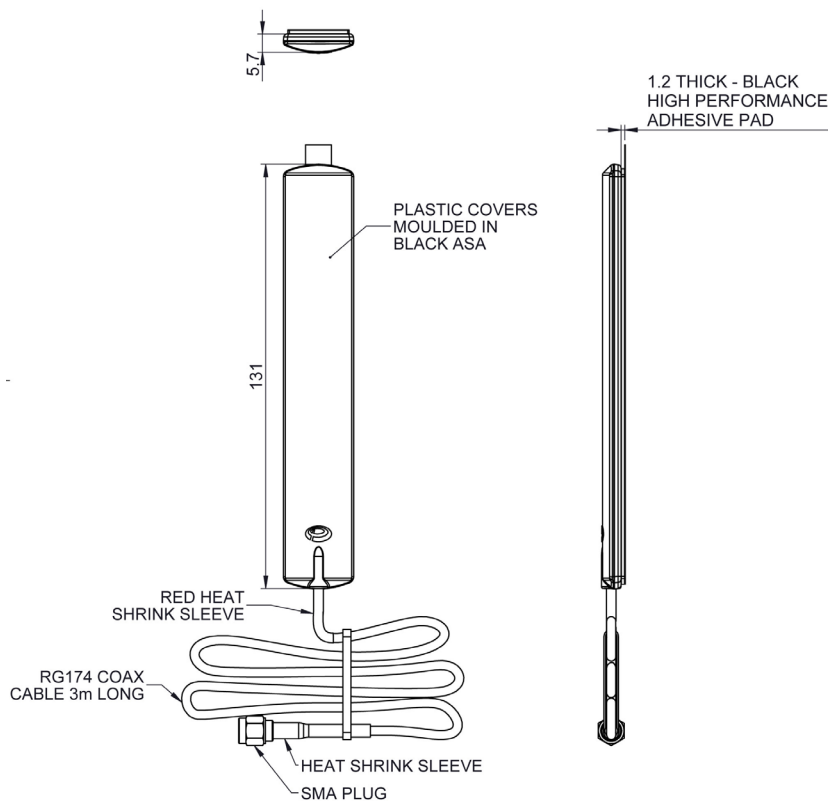
EF-24-58 is a range of highly efficient and easy to install antennas for providing WiFi coverage. These compact paddle style antennas are easily positioned on a device housing or vehicle windscreen using the supplied automotive industry grade adhesive pad.

The antenna is ground plane independent making it ideal for applications distributing or receiving WiFi signal. Covering 2.4/5.0GHz the EF-24-58 is designed to support the full range of WiFi frequencies.

The antenna is constructed from weather resistant plastic and is suitable for use in semi-exposed scenarios.

### Technical Drawing

EF-24-58-3SP Shown



# WiFi 2.4/5.0GHz Adhesive Easyfit Antenna

## EF-24-58

Part No.		EF-24-58-3SP	EF-24-58-3RPSP
<b>Electrical Data</b>			
Frequency Range (MHz)		2396-2485/4.9-6GHz	
Operational Bands		2.4/5.0GHz WiFi	
Typical VSWR*		<2:1	
Peak Gain: Isotropic**	2.4GHz	2dBi	
	5.0GHz	4dBi	
Polarisation		Vertical	
Pattern		Omni-directional	
Impedance		50Ω	
Max Input Power (W)		10	
<b>Mechanical Data</b>			
Dimensions (mm)	Length	131 (5.16")	
	Width	21.7 (0.85")	
	Thickness	7 (0.27")	
Material		ASA	
Operating Temp (°C)		-30° / +70°C (-22° / 158°F)	
Colour		Black	
Approx. Weight (g)		58	
<b>Mounting Data</b>			
Type		Acrylic adhesive pad	
<b>Cable Data</b>			
Type		FR RG174 (UN ECE 118 compliant)	
Diameter (mm)		2.6 (0.10")	
Length (m)		3 (10')	3 (10')
Termination		SMA Plug	Rev Pol SMA Plug

\*Typical VSWR as measured on a sheet of glass without cable \*\* Peak gain modelled in CST Microwave Studio excluding cable loss.

