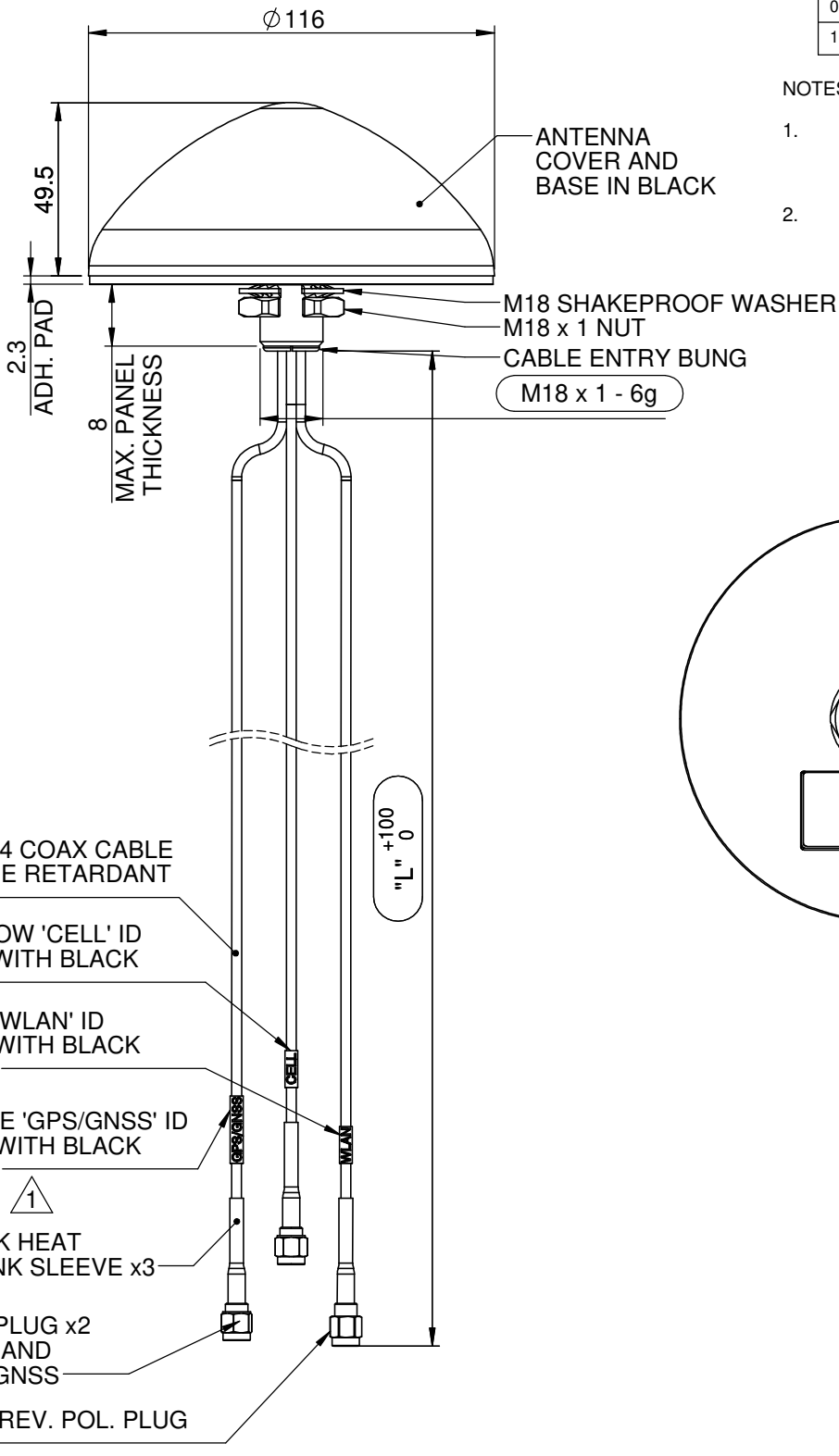
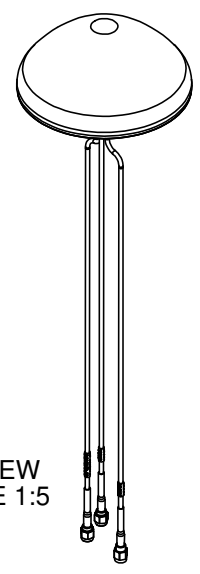
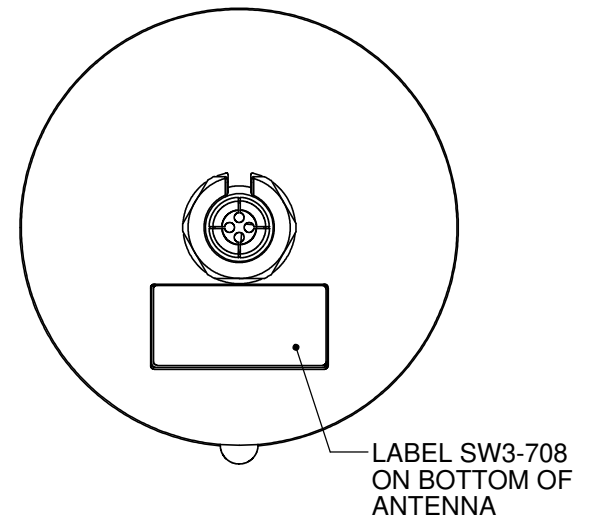


TOLERANCES UNLESS OTHERWISE STATED			
0 DEC. PLACE	±0.5	2 DEC. PLACES	±0.1
1 DEC. PLACE	±0.2	ANGULAR	±1°

A
B
C
D
E



- NOTES:
- SAMPLES MUST BE APPROVED BY PANORAMA ANTENNAS Q.C. BEFORE COMMENCING PRODUCTION.
 - ALL MATERIALS SUPPLIED MUST BE RoHS3 (DIRECTIVE (EU) 2015/863) COMPLIANT AND MUST NOT CONTAIN ANY SUBSTANCES OF VERY HIGH CONCERN (SVHCs) LISTED UNDER REACH OR POLY-AROMATIC HYDROCARBONS (PAHs), OR PERSISTENT ORGANIC POLLUTANTS (POPs) CONTROLLED BY THE STOCKHOLM CONVENTION.



PART NUMBER	"L" CABLE LENGTH (mm)	WEIGHT (g)
LG-7-38-24-58-1SP	1000	370
LG-7-38-24-58-3SP	3000	470

F	PRODUCT/ASSEMBLY				DESCRIPTION						
	1008-M2M LOW PROFILES				LO PRO 4G/3G/2G WIFI GNSS DOME VARm SMA(m)						
	MATERIAL				N/A						
	FINISH				N/A						
01019	A	INITIAL ISSUE	17/04/2019	AR	APPROVED	PE	D.O.CHECK	IC	SCALE	1:10	DIMENSIONS IN mm
01019	1	PROD. ISSUE, RESISTOR REMOVED, GPS/GNSS ID UPDATE	12/06/2019	AR							
PCN	REV.	DESCRIPTION	DATE	DRN.	WEIGHT	SEE TABLE	SHEET 1 OF 2				

DRG. No. LG-7-38-24-58-VARSP

© 2019 A4 THIS DOCUMENT MUST NOT BE COPIED OR DISCLOSED TO A THIRD PARTY WITHOUT THE WRITTEN CONSENT OF PANORAMA ANTENNAS LTD

DO NOT SCALE DENOTES LATEST ISSUE CHANGES

DENOTES CRITICAL VALUE PROJECTION

TOLERANCES UNLESS OTHERWISE STATED			
0 DEC. PLACE	±0.5	2 DEC. PLACES	±0.1
1 DEC. PLACE	±0.2	ANGULAR	±1°

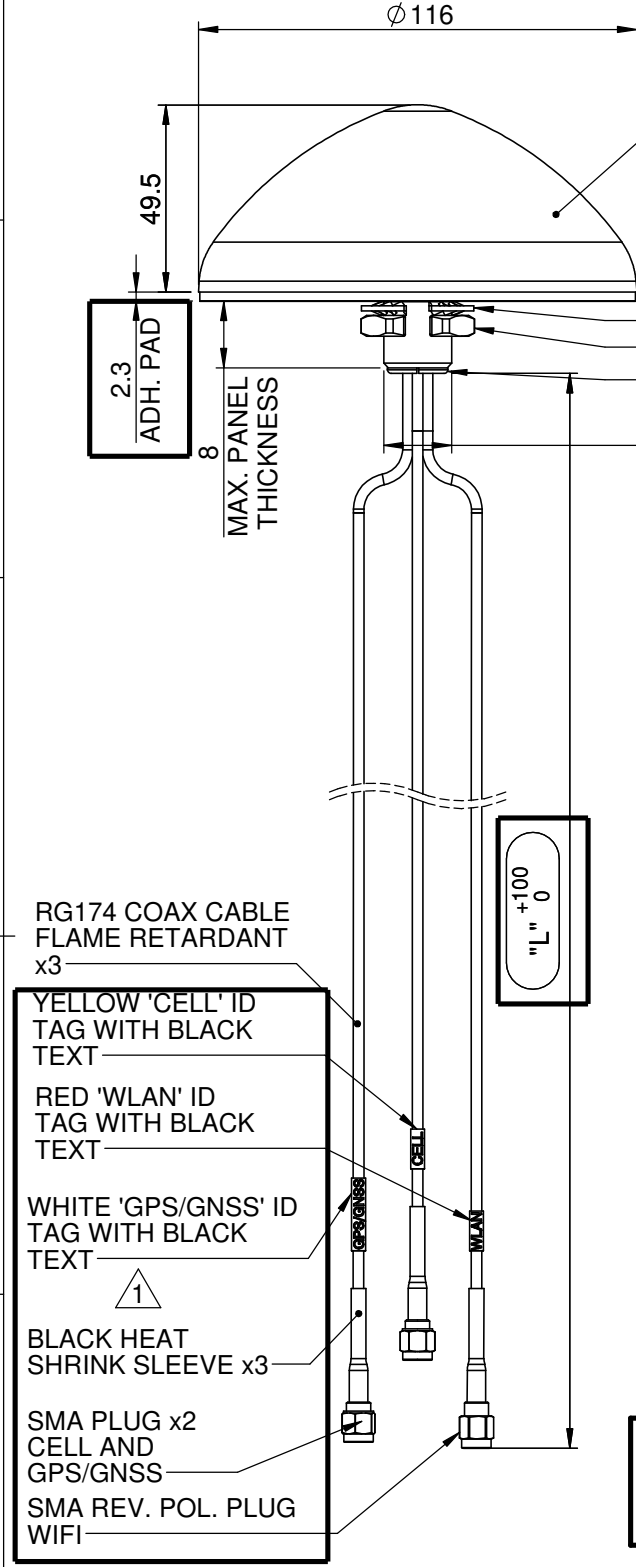
A

B

C

D

E

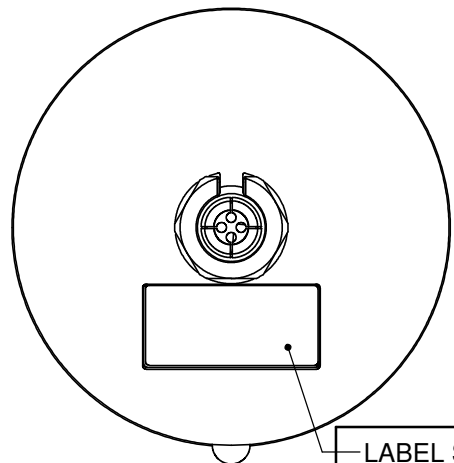


ANTENNA COVER AND BASE IN BLACK

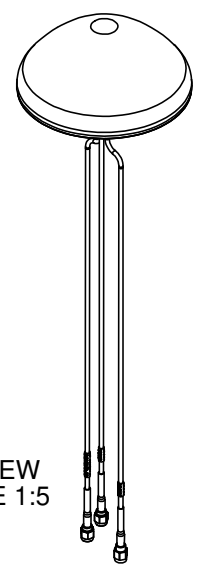
M18 SHAKEPROOF WASHER
M18 x 1 NUT
CABLE ENTRY BUNG
M18 x 1 - 6g

NOTES:

- SAMPLES MUST BE APPROVED BY PANORAMA ANTENNAS Q.C. BEFORE COMMENCING PRODUCTION.
- ALL MATERIALS SUPPLIED MUST BE RoHS3 (DIRECTIVE (EU) 2015/863) COMPLIANT AND MUST NOT CONTAIN ANY SUBSTANCES OF VERY HIGH CONCERN (SVHCs) LISTED UNDER REACH OR POLY-AROMATIC HYDROCARBONS (PAHs), OR PERSISTENT ORGANIC POLLUTANTS (POPs) CONTROLLED BY THE STOCKHOLM CONVENTION.



LABEL SW3-708 ON BOTTOM OF ANTENNA



ISO VIEW SCALE 1:5

INSPECTION DRAWING ONLY

PART NUMBER	"L" CABLE LENGTH (mm)	WEIGHT (g)
LG-7-38-24-58-1SP	1000	370
LG-7-38-24-58-3SP	3000	470

PRODUCT/ASSEMBLY 1008-M2M LOW PROFILES					DESCRIPTION LO PRO 4G/3G/2G WIFI GNSS DOME VARm SMA(m)					
MATERIAL N/A					APPROVED PE D.O.CHECK IC SCALE 1:10 DIMENSIONS IN mm					
01019	A	INITIAL ISSUE	17/04/2019	AR	FINISH N/A					
01019	1	PROD. ISSUE, RESISTOR REMOVED, GPS/GNSS ID UPDATE	12/06/2019	AR	P A N O R A M A A N T E N N A S					
PCN	REV.	DESCRIPTION	DATE	DRN.	WEIGHT	SEE TABLE	SHEET 2 OF 2			