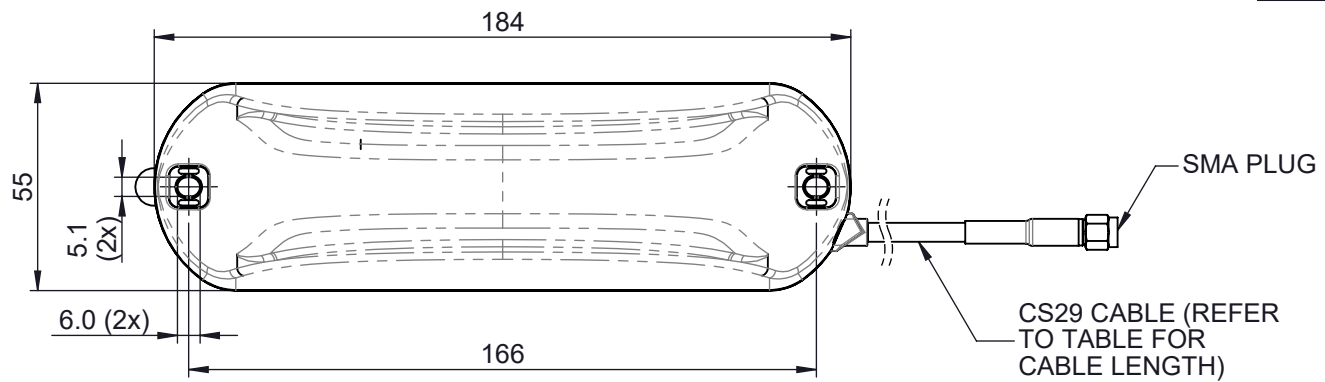
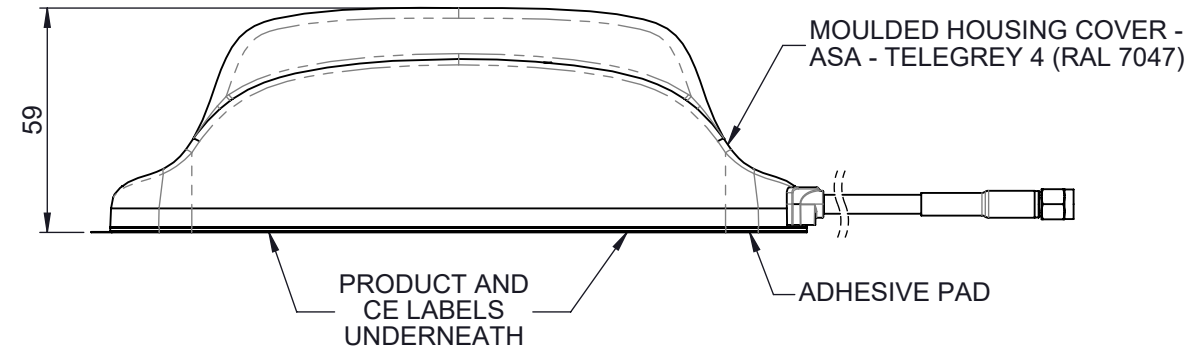
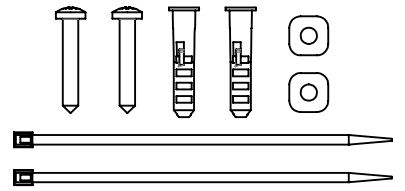


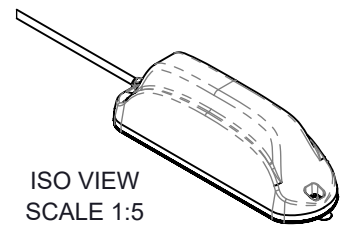
				© 2022 A4	THIS DOCUMENT MUST NOT BE COPIED OR DISCLOSED TO A THIRD PARTY WITHOUT THE WRITTEN CONSENT OF PANORAMA ANTENNAS LTD.	DRG. No.	LPAL-7-42-VARSP			
TOLERANCES UNLESS OTHERWISE STATED						PART NUMBER	CABLE LENGTH (mm)	WEIGHT (g)		
0 DEC. PLACE ±0.5	2 DEC. PLACES ±0.1							LPAL-7-42-5SP	5000 +100/-0	301
1 DEC. PLACE ±0.2	ANGULAR ±1°									



SUPPLIED LOOSE PART :  
 (2x) No.8 X 25mm PAN HEAD POZI SCREW  
 (2x) No.8 RAWL PLUG  
 (2x) SQUARE SEALING WASHER  
 (2x) PLASTIC CABLE TIE



OPERATING FREQUENCY :  
 CELL : 698-960 / 1427-4200 MHZ



- NOTES:
- SAMPLES MUST BE APPROVED BY PANORAMA ANTENNAS Q.C. BEFORE COMMENCING PRODUCTION.
  - ALL MATERIALS SUPPLIED MUST BE RoHS3 (DIRECTIVE (EU) 2015/863) COMPLIANT AND MUST NOT CONTAIN ANY SUBSTANCES OF VERY HIGH CONCERN (SVHCs) LISTED UNDER REACH OR POLY-AROMATIC HYDROCARBONS (PAHs), OR PERSISTENT ORGANIC POLLUTANTS (POPs) CONTROLLED BY THE STOCKHOLM CONVENTION.

					PRODUCT/ASSEMBLY 1008 - M2M LOW PROFILES	DESCRIPTION SiSo 4G/5G LOW PROFILE IOT ANT VARM CS29 SMA(m)				
					MATERIAL N/A					
					FINISH N/A	APPROVED PE	D.O.CHECK IC	SCALE 1:2	DIMENSIONS IN mm	
01019	1	PRODUCTION ISSUE	15/12/2022	SL						
PCN	REV.	DESCRIPTION	DATE	DRN.						