

1

2

3

4

DRG. No. BATGMF-7-60

© 2021 A4

THIS DOCUMENT MUST NOT BE COPIED OR DISCLOSED TO A THIRD PARTY WITHOUT THE WRITTEN CONSENT OF PANORAMA ANTENNAS LTD.

DO NOT SCALE

DENOTES LATEST ISSUE CHANGES

DENOTES CRITICAL VALUE

PROJECTION

OPERATING FREQUENCIES:CELL (2x) : 698-960/1710-6000MHz
GPS/GNSS: 1562-1612MHz 26dB LNA

TOLERANCES UNLESS OTHERWISE STATED

0 DEC. PLACE ±0.5 2 DEC. PLACES ±0.1

1 DEC. PLACE ±0.2 ANGULAR ±1°

A

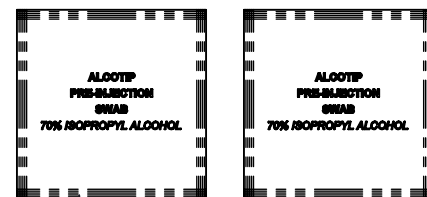
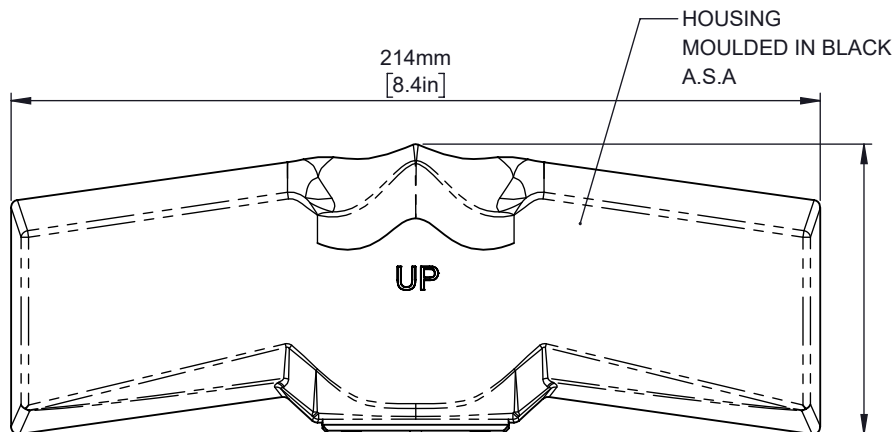
B

C

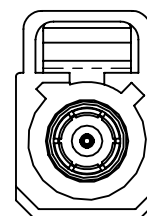
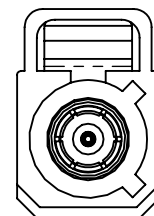
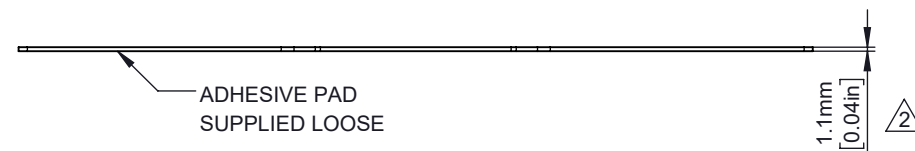
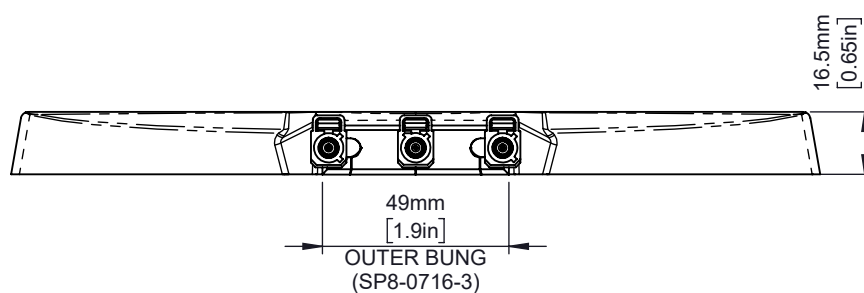
D

E

F



2x ALCOHOL CLEANING SWAB SUPPLIED LOOSE

GREY CS32 COAX CABLE -
3m LONG - 2 POS.
SR1-032-FRZH-GBLACK RG174 COAX
CABLE - 3m LONG
SR1-174-XLPE-FR77mm
[3.0in]WRAPTOR TAG - YELLOW
LABEL, BLACK TEXT - 2 POS.
SW3-766-2G3G4G-BLKTBLACK HEAT SHRINK SLEEVE
SE1-0310BLACK HEAT SHRINK
SLEEVE IN 2 POS.
SE1-0400FAKRA C
SIGNAL BLUE - RAL 5005FAKRA D JACK - 2 POS.
SC1-FAKRAD-JC10FAKRA C JACK
SC1-FAKRAC-JC174FAKRA D
CLARET VIOLET - RAL 4004**NOTES:**

- SAMPLES MUST BE APPROVED BY PANORAMA ANTENNAS Q.C. BEFORE COMMENCING PRODUCTION.
- ALL MATERIALS SUPPLIED MUST BE RoHS3 (DIRECTIVE (EU) 2015/863) COMPLIANT AND MUST NOT CONTAIN ANY SUBSTANCES OF VERY HIGH CONCERN (SVHCs) LISTED UNDER REACH OR POLY-AROMATIC HYDROCARBONS (PAHs), OR PERSISTENT ORGANIC POLLUTANTS (POPs) CONTROLLED BY THE STOCKHOLM CONVENTION.

PRODUCT/ASSEMBLY

1003 - COVERT ANTENNAS

DESCRIPTION

GPS/GNSS/MIMO CELL ANT. 3m FAK.
JACKS

MATERIAL

N/A

01019

1

PRODUCTION ISSUE

20/05/2021

GP

FINISH

N/A

APPROVED

PE

D.O.CHECK

AA

SCALE

1:2

DIMENSIONS
IN mm

01019

2

ADHESIVE PAD UPDATE

09/08/2022

NL

PCN

REV.

DESCRIPTION

DATE

DRN

WEIGHT 950(NET)g

SHEET 1 OF 2

PANORAMA ANTENNAS