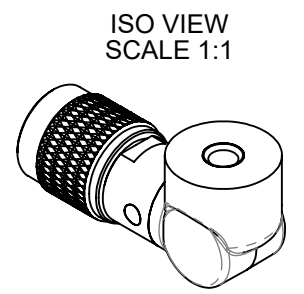
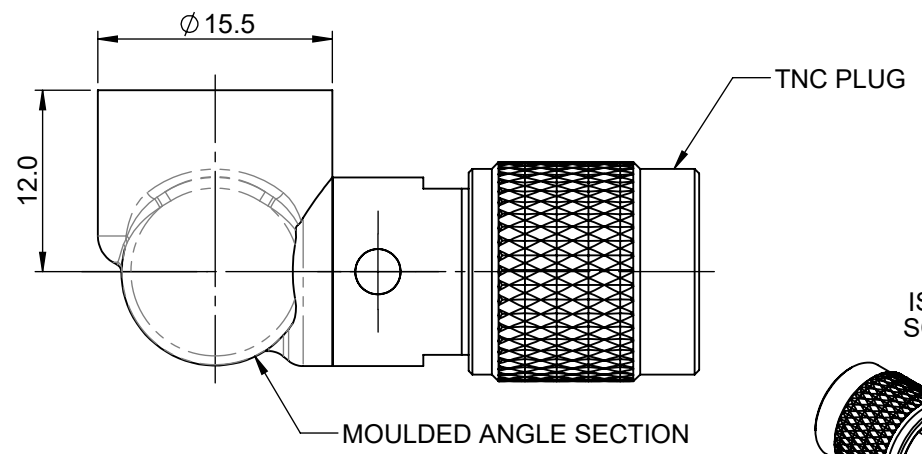
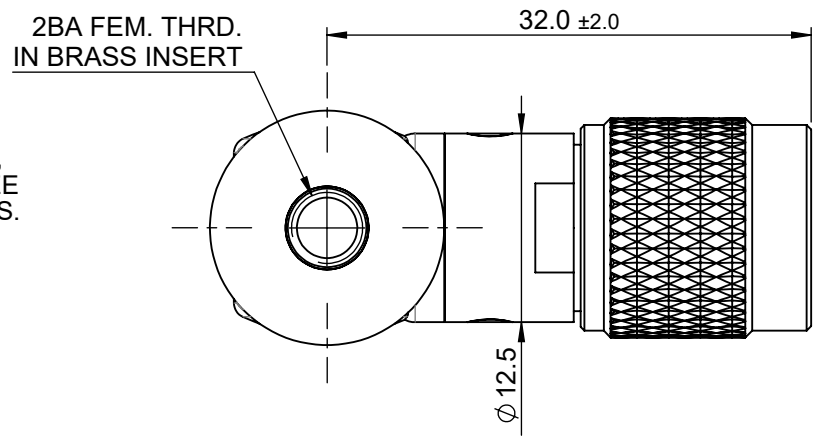


TOLERANCES UNLESS OTHERWISE STATED			
0 DEC. PLACE	±0.5	2 DEC. PLACES	±0.1
1 DEC. PLACE	±0.2	ANGULAR	±1°



- NOTES:**
- MOULDED SECTIONS TO BE FREE FROM DISTORTION, FLASH, SINK AND FLOW MARKS. COSMETIC SURFACES MUST BE FREE FROM BLEMISHES AND ALL OTHER SURFACE IMPERFECTIONS.
 - REFER TO 3D FILE FOR DETAILED DIMENSIONS.
 - GATE POSITION TO BE CONFIRMED BEFORE TOOL MANUFACTURE.
 - MOULDING MATERIAL: NYLON - GRILON TSZ-1. COLOUR- JET BLACK (RAL 9005). ALTERNATIVE MATERIALS MUST BE APPROVED BY PANORAMA ANTENNAS.
 - MOULDING FINISH: FINE SPARK TO 24 VDI (Ra 1.6µm).
 - CONTACT PIN MUST REMAIN CAPTIVE AFTER ASSEMBLY OF CONNECTOR.FINAL CONNECTOR ASSEMBLY MUST CONFORM TO STANDARD INTERFACE DIMENSIONS.
 - SAMPLES MUST BE APPROVED BY PANORAMA ANTENNAS Q.C. BEFORE COMMENCING PRODUCTION.
 - ALL MATERIALS SUPPLIED MUST BE RoHS3 (DIRECTIVE (EU) 2015/863) COMPLIANT AND MUST NOT CONTAIN ANY SUBSTANCES OF VERY HIGH CONCERN (SVHCs) LISTED UNDER REACH OR POLY-AROMATIC HYDROCARBONS (PAHs), OR PERSISTENT ORGANIC POLLUTANTS (POPs) CONTROLLED BY THE STOCKHOLM CONVENTION.

ITEM NO.	PART NUMBER	DESCRIPTION	QTY.
1	SC1-TNC-P20B	TNC PLUG SHELL - BLACK	1
2	SC5-007AU	TNC/BNC CONTACT PIN - GOLD PLATED	1
3	SP2-0007	2BA INSERT BUSH - ML2, CD ETC.	1
4	SR4-003	20 SWG TINNED COPPER WIRE	0.03m
5	SR6-016	GRILON TSZ-1. BLACK.	0.003kg

				PRODUCT/ASSEMBLY 2008 - CONNECTORS		DESCRIPTION 2BA TO TNC RIGHT ANGLE ADAPTOR				
				MATERIAL SEE NOTES						
				FINISH SEE NOTES		APPROVED	D.O.CHECK	CL	SCALE	DIMENSIONS
				01019	6	REDRAWN. MINOR DESIGN UPDATE. NOTES UPDATED.	24/10/2018	PE	2:1	IN mm
				01019	7	SC1-TNC-P20B UPDATED	01/02/2019	PE		
PCN	REV.	DESCRIPTION	DATE	DRN.	WEIGHT 22.55g	SHEET 1 OF 2				