

1

2

3

4

5

DRG.
No.

CA-NP-FP

SHEET
1 OF 1

PRODUCT/ASSEMBLY

CONNECTORS

DESCRIPTION

N(m) - FME(m) ADAPTOR

MATERIAL

N/A

FINISH

N/A

WEIGHT

30.03g

APPROVED

KD

DO.CHECK

IC

SCALE

2:1

DIMENSIONS IN mm

DO NOT
SCALE3RD ANGLE
PROJECTION

REVISIONS

PCN	REV.	DESCRIPTION	DATE	DRN
01019	4	STANDARD INTERFACE DIMENSIONS ADDED	26/08/2015	AR

TOLERANCES UNLESS OTHERWISE STATED

0 DEC. PLACE	±0.5	2 DEC. PLACES	±0.1
1 DEC. PLACE	±0.2	ANGULAR	±1°

DENOTES
LATEST ISSUE
CHANGESDENOTES
CRITICAL
VALUEPANORAMA
ANTENNASTHIS DOCUMENT MUST NOT BE COPIED
OR DISCLOSED TO A THIRD PARTY
WITHOUT THE WRITTEN CONSENT OF
PANORAMA ANTENNAS LTD.

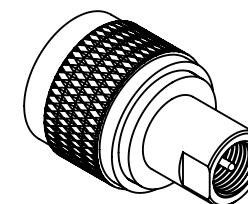
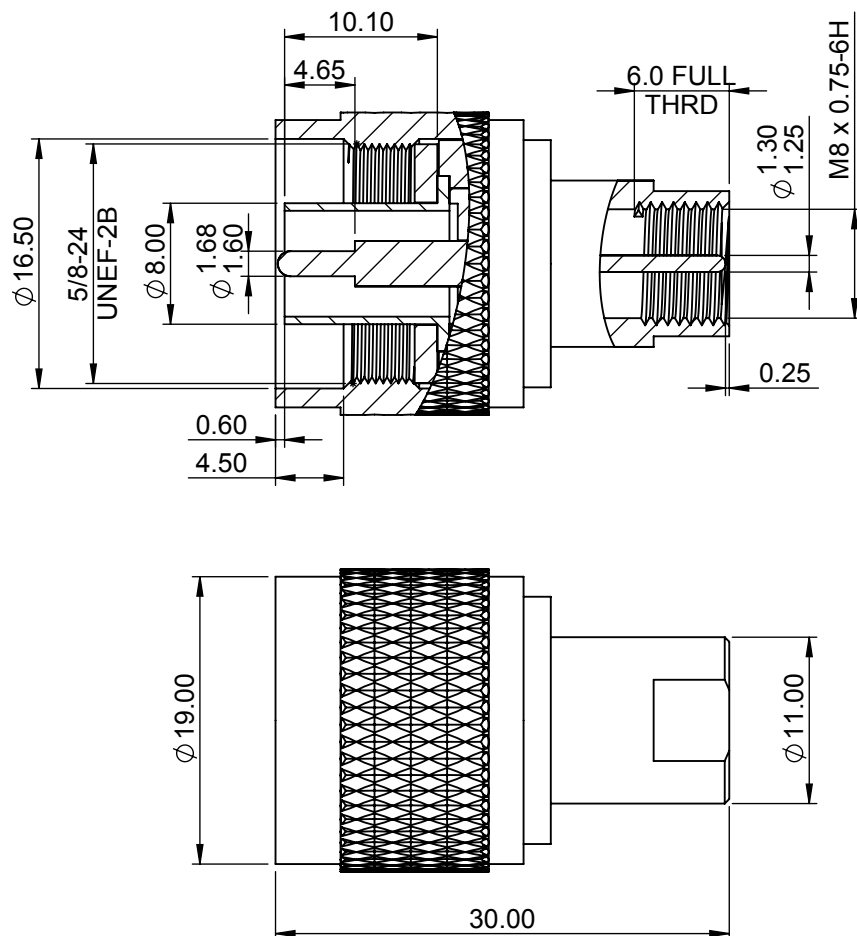
© 2015

A4

NOTES:

1. IMPEDANCE 50Ω.
2. CONTACT PIN MUST REMAIN CAPTIVE AFTER ASSEMBLY OF CONNECTOR.
3. FINAL CONNECTOR ASSEMBLY MUST CONFORM TO STANDARD INTERFACE DIMENSIONS SHOWN.
4. MATERIALS:
LOCKING BUSH & EARTHING SHELL: BRASS CW603N (CuZn36Pb3), BRASS CW614N (CuZn39Pb3) OR APPROVED EQUIVALENT
CONTACT PIN: BERYLLIUM COPPER CW101C (CuBe2)
INSULATOR: DELRIN
5. FINISH:
LOCKING BUSH & EARTHING SHELL: NICKEL (1.27μm MIN.) OVER COPPER (1.27μm MIN.)
- FINISHED PLATING THICKNESS 3μm MIN.
CONTACT PIN: GOLD PLATED (0.5μm MIN.) OVER NICKEL (1.27μm MIN.) OVER COPPER (1.27μm MIN.)
INSULATOR: SMOOTH MACHINED
6. ALL THREADS TO BE FREE FROM RESTRICTION ALONG ENTIRE LENGTH AFTER PLATING.
7. ALL DIMENSIONS APPLY AFTER PLATING.
8. SAMPLES MUST BE APPROVED BY PANORAMA ANTENNAS Q.C. BEFORE COMMENCING PRODUCTION.
9. ALL PARTS MUST BE RoHS COMPLIANT AND MUST NOT CONTAIN ANY SUBSTANCES OF VERY HIGH CONCERN (SVHCs) LISTED UNDER REACH OR POLY-AROMATIC HYDROCARBONS (PAHs), OR PERSISTENT ORGANIC POLLUTANTS (POPs) CONTROLLED BY THE STOCKHOLM CONVENTION.
10. IN ORDER TO ASSURE COMPLIANCE WITH THE USA DODD-FRANK ACT (SECTION 1502) TIN, GOLD, TANTALUM AND TUNGSTEN CONTAINED IN PANORAMA PRODUCTS MUST BE FULLY TRACEABLE TO A SMELTER APPROVED BY THE CONFLICT-FREE SOURCING INITIATIVE (www.conflictfreesmelter.org).

STANDARD INTERFACE DIMENSIONS

ISO VIEW
SCALE 1:1