

1

2

3

4

5

A

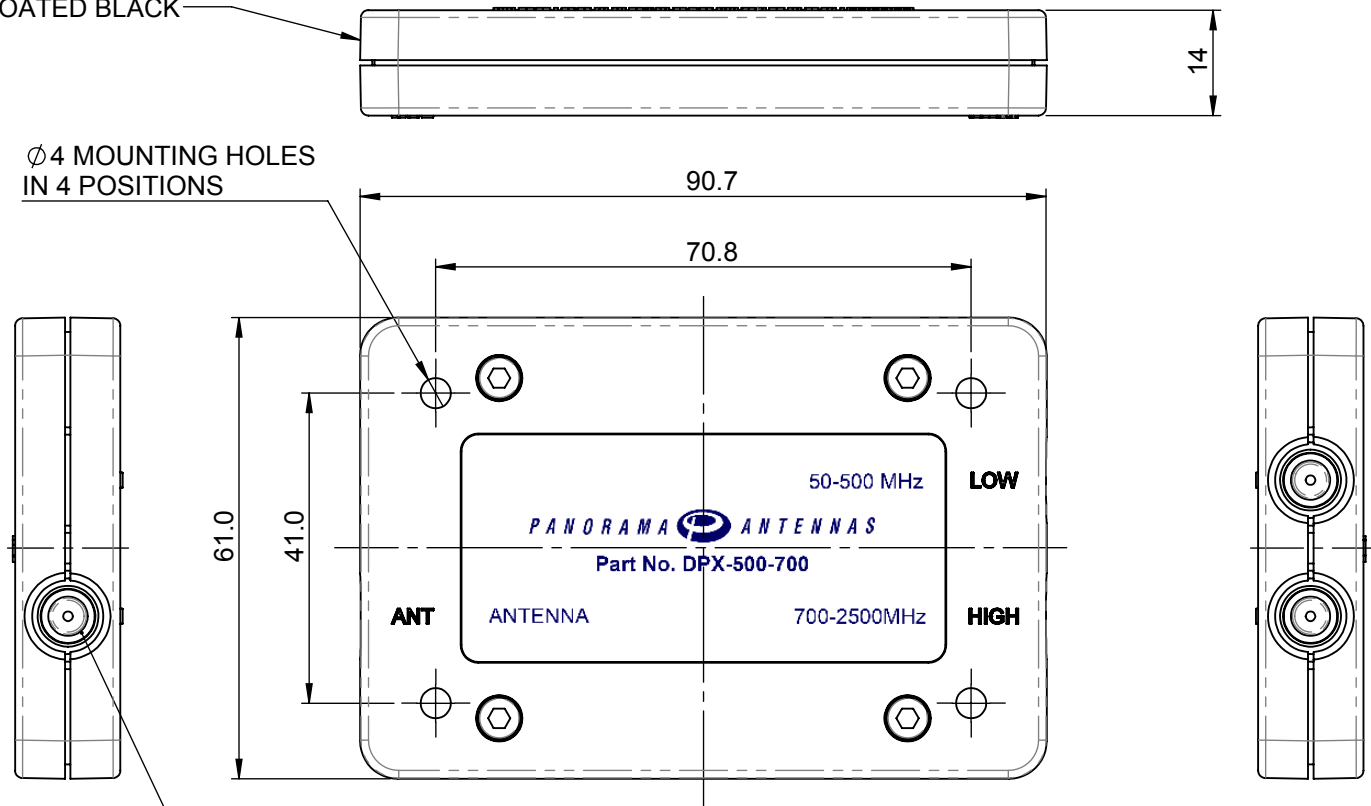
B

C

D

ALUMINIUM HOUSING  
COATED BLACK

Ø4 MOUNTING HOLES  
IN 4 POSITIONS



FME PLUG IN  
3 POSITIONS

DRG. No. **DPX-500-700**

SHEET  
1 OF 1

PRODUCT/ASSEMBLY  
**DPX-500-700**

DESCRIPTION  
**FILTER UNIT 50-500MHz, 700-  
2500MHz**

MATERIAL  
**N/A**

FINISH  
**N/A**

WEIGHT  
**168.79 g**

APPROVED **KD** DO.CHECK **PE**

SCALE **1:1** DIMENSIONS IN mm

DO NOT SCALE 3RD ANGLE PROJECTION

PCN	REV.	DESCRIPTION	DATE	DRN
01019	2	REDRAWN IN 2D AND 3D CAD	01/07/2013	ATB
01019	3	PARTS CLARIFIED	29/11/2013	RF

TOLERANCES UNLESS OTHERWISE STATED

0 DEC. PLACE	±0.5	2 DEC. PLACES	±0.1
1 DEC. PLACE	±0.2	ANGULAR	±1°

△ DENOTES  
LATEST ISSUE  
CHANGES

○ DENOTES  
CRITICAL  
VALUE

**PANORAMA  
ANTENNAS**

THIS DOCUMENT MUST NOT BE COPIED  
OR DISCLOSED TO A THIRD PARTY  
WITHOUT THE WRITTEN CONSENT OF  
PANORAMA ANTENNAS LTD.

© 2013

A4